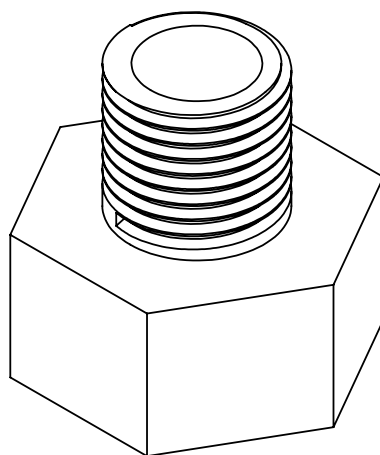




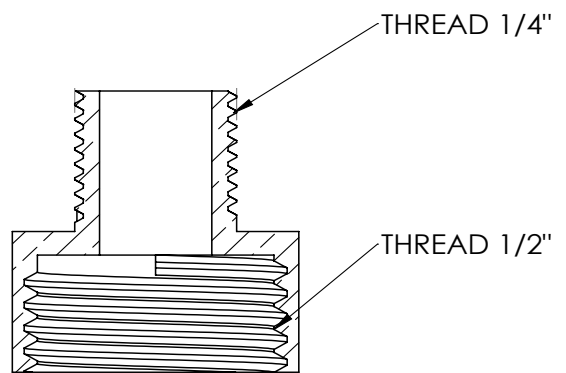
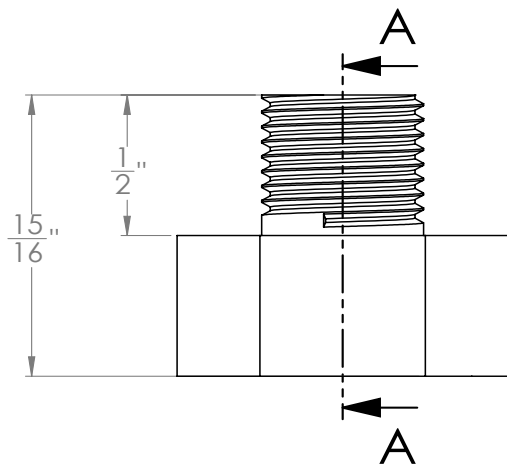
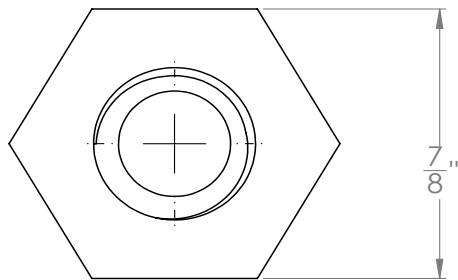
LANVAIN



Réducteur / Reducer

UGS : RDCR

Dimensions (pouces / inches)



SECTION A-A





IAPMO R&T Product Listing



This IAPMO R&T Listing is current as of August 27, 2022

File Number:

7930

Issued To:

KAIPING XITE HARDWARE FACTORY

E3-3, DAJINGHENG ROAD, NO.3 INDUSTRIAL ZONE, SHUIKOU TOWN, KAIPING CITY KAIPING, GUANGDONG, CHINA

Product:

Plumbing Fixture Fittings

Products are in compliance with the following code(s):

Uniform Plumbing Code (UPC®)

National Plumbing Code of Canada

Products are certified to the following standard(s):

ASME A112.18.1-2018/CSA B125.1-18





LANVAIN

WHEN ONLY THE BEST WILL DO