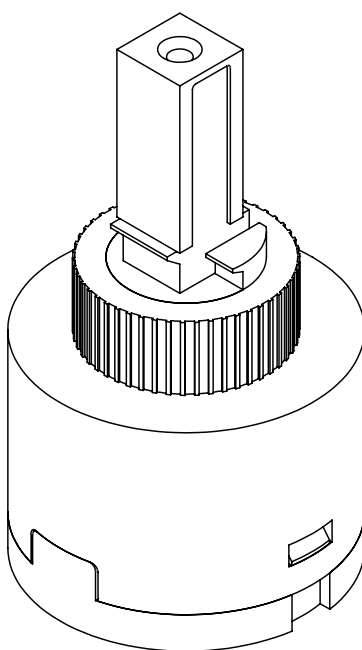




LANVAIN



Cartouche de mitigeur / Faucet Cartridge

---

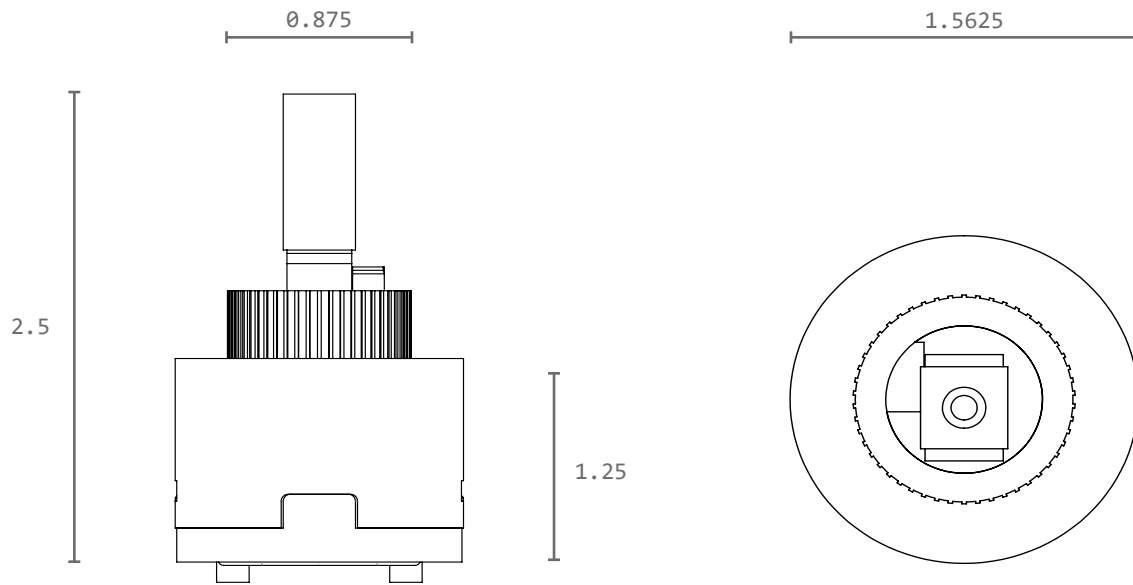
UGS : 602T-C

---



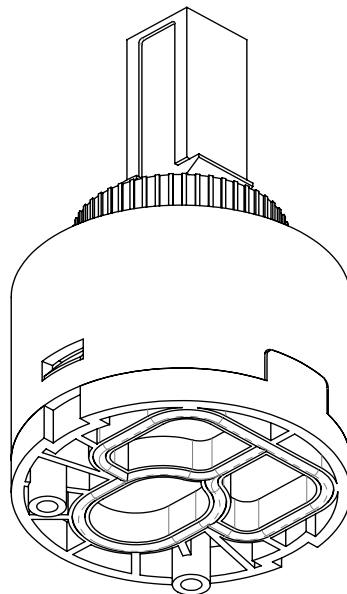
Dimensions (pouces / inches)

---



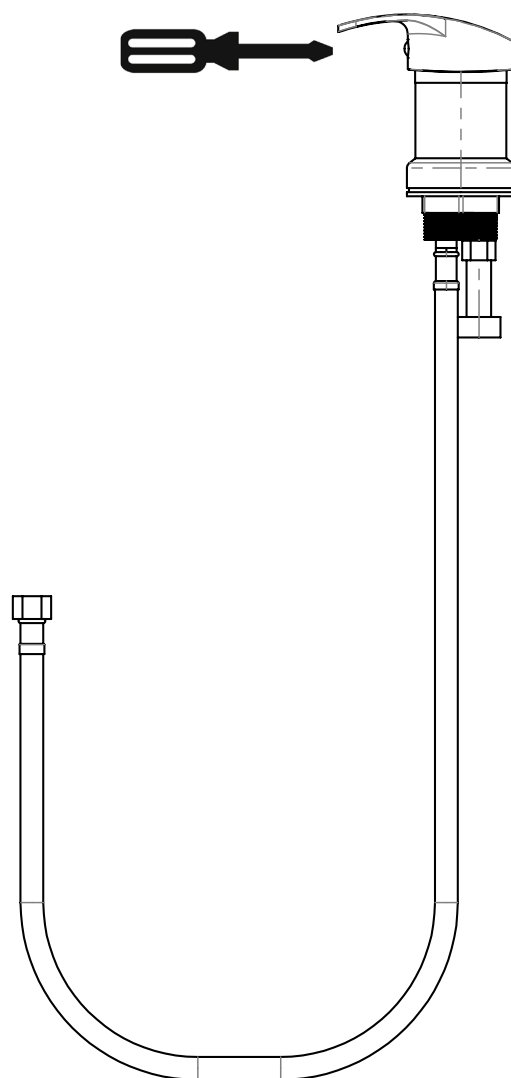
Plan du dessous / Bottom layout

---



## Comment accéder à la cartouche / How to access the cartridge

---

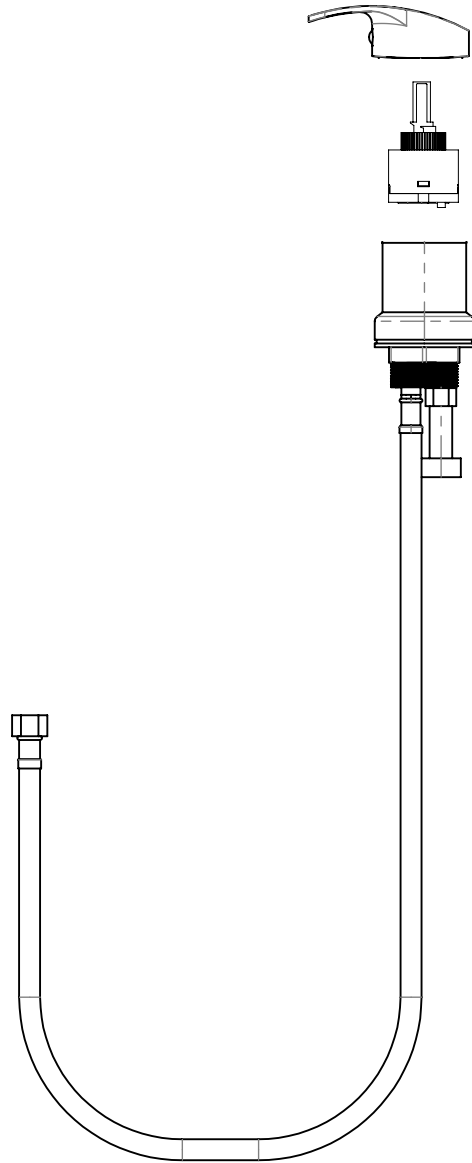


1. Retirer l'indicateur de température rouge et bleu et dévisser le manche au travers de ce trou  
\*L'installation doit être fait par un plombier certifié\* / Remove the red and blue temperature  
indicateur and unscrew the handle through this hole \*The installation must be done by a certified  
plumber\*



## Comment accéder à la cartouche / How to access the cartridge

---



2. Retirer le manche, dévisser le capuchon et retirer la cartouche. \*L'installation doit être fait par un plombier certifié\* / Remove the handle, unscrew the cap and remove the cartridge.  
\*The installation must be done by a certified plumber\*





## IAPMO R&T Product Listing



This IAPMO R&T Listing is current as of August 27, 2022

*File Number:*

**7930**

*Issued To:*

### **KAIPING XITE HARDWARE FACTORY**

E3-3, DAJINGHENG ROAD, NO.3 INDUSTRIAL ZONE, SHUIKOU TOWN, KAIPING CITY KAIPING, GUANGDONG, CHINA

*Product:*

### **Plumbing Fixture Fittings**

*Products are in compliance with the following code(s):*

**Uniform Plumbing Code (UPC®)**

**National Plumbing Code of Canada**

*Products are certified to the following standard(s):*

**ASME A112.18.1-2018/CSA B125.1-18**







**LANVAIN**

**WHEN ONLY THE BEST WILL DO**