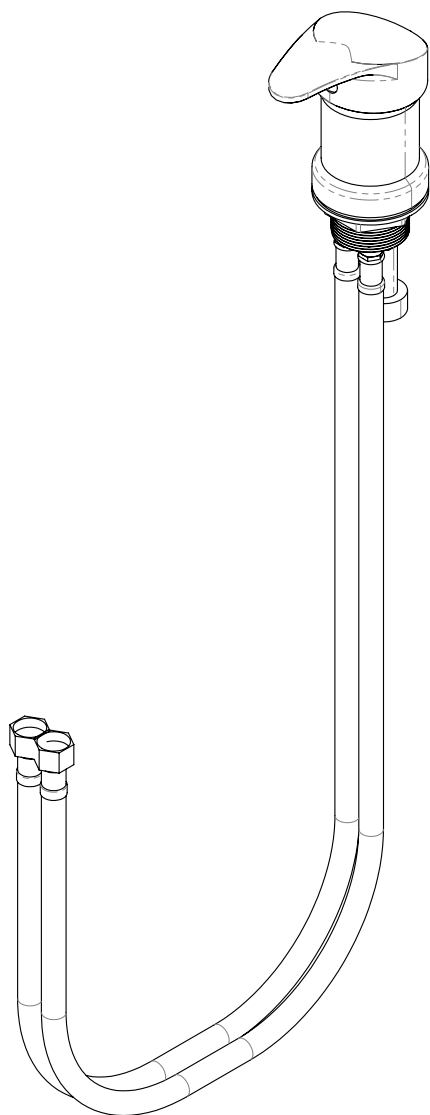




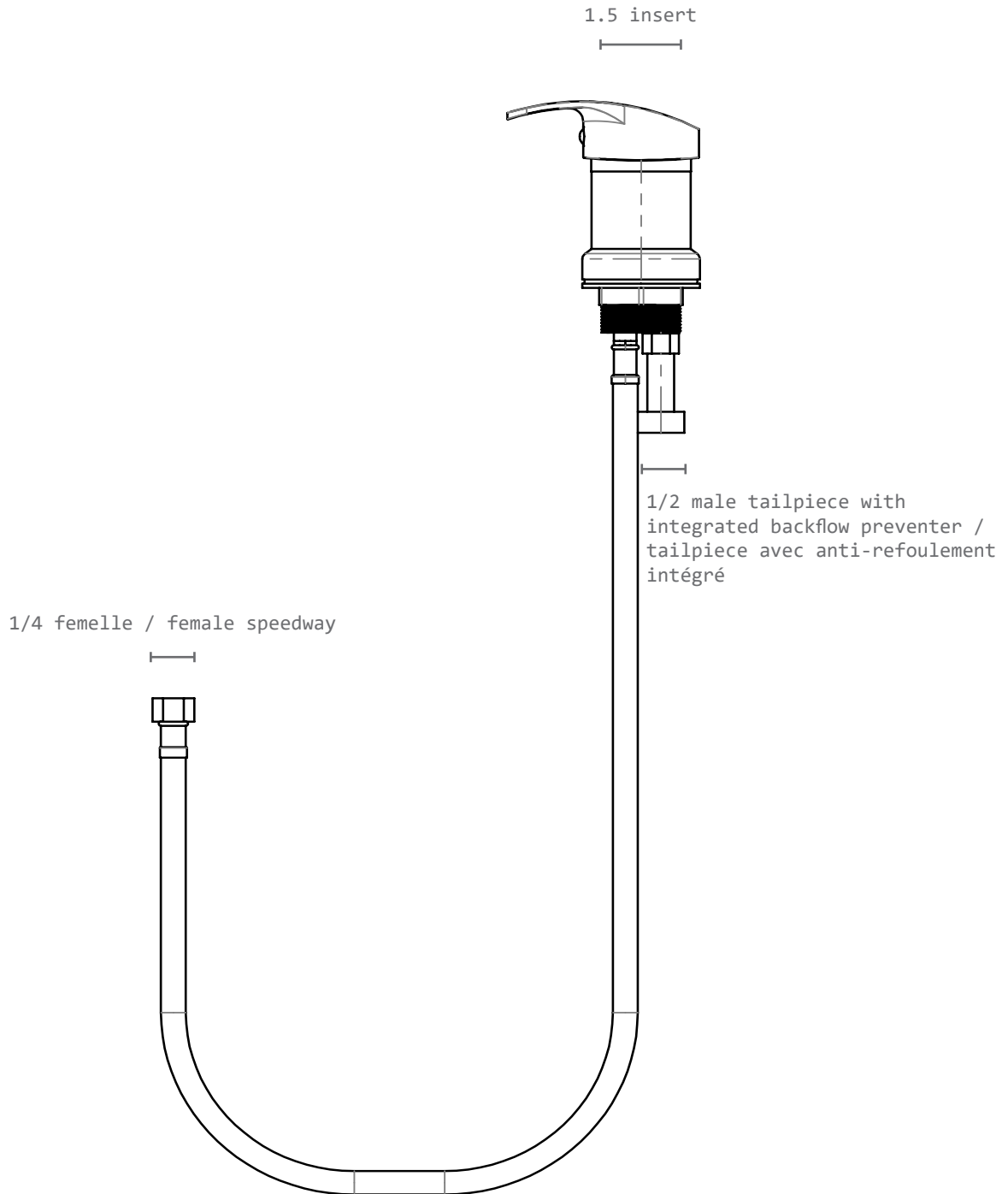
LANVAIN



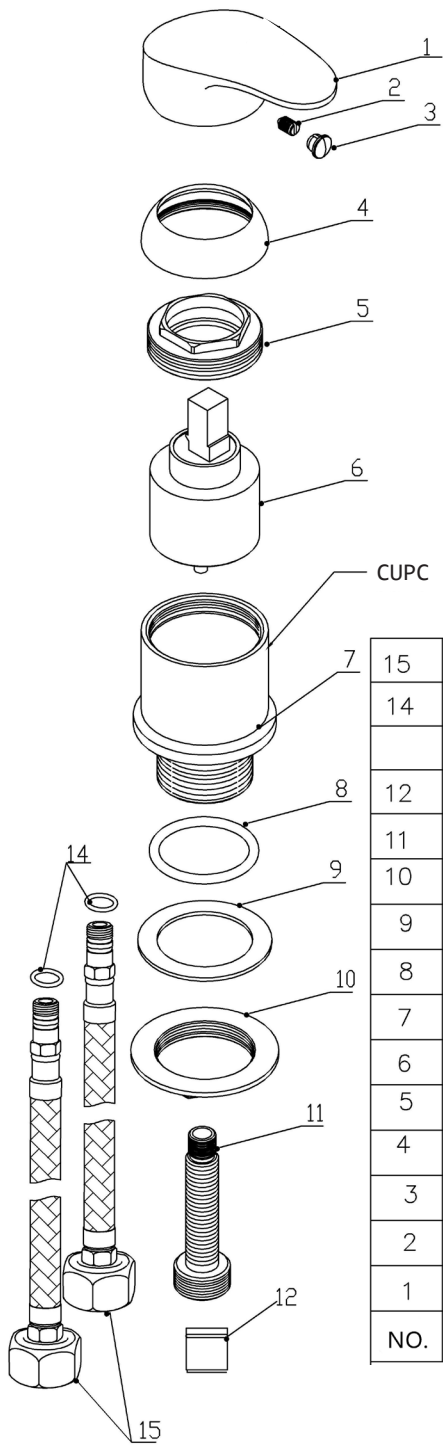
Mitigeur / Faucet

UGS : 602T

Spécifications (pouces / inches)



Spécifications (pouces / inches)



NO.	NAME	SIZE	MATERIAL
1	HANDLE	∅54.5	ZN ALLOY
2	SET SCREW	M5X8	STAINLESS STEEL
3	INDICATOR	∅9x5.5	PLASTIC
4	TRAM CAP	M42X1.5	PLASTIC
5	LOCK NUT	M42X1.5	H57 BRASS
6	CERAMIC CARTRIDGE	40 DIAMETER	PLASTIC & CERAMIC
7	SHELL BODY	M42X67.5	H57 BRASS
8	O RING	∅40x2	RUBBER
9	GASKET	∅48.8x2	RUBBER
10	NUT	M35X7.5	H57 BRASS
11	OUTLET HOSE	G3/4X63	H57 BRASS
12	CHECK VALVE		PLASTIC
14	O RING	∅8x2	RUBBER
15	HOT AND COLD HOSE	100 CM	STAINLESS STEEL & RUBBER





IAPMO R&T Product Listing



This IAPMO R&T Listing is current as of August 27, 2022

File Number:

7930

Issued To:

KAIPING XITE HARDWARE FACTORY

E3-3, DAJINGHENG ROAD, NO.3 INDUSTRIAL ZONE, SHUIKOU TOWN, KAIPING CITY KAIPING, GUANGDONG, CHINA

Product:

Plumbing Fixture Fittings

Products are in compliance with the following code(s):

Uniform Plumbing Code (UPC®)

National Plumbing Code of Canada

Products are certified to the following standard(s):

ASME A112.18.1-2018/CSA B125.1-18

