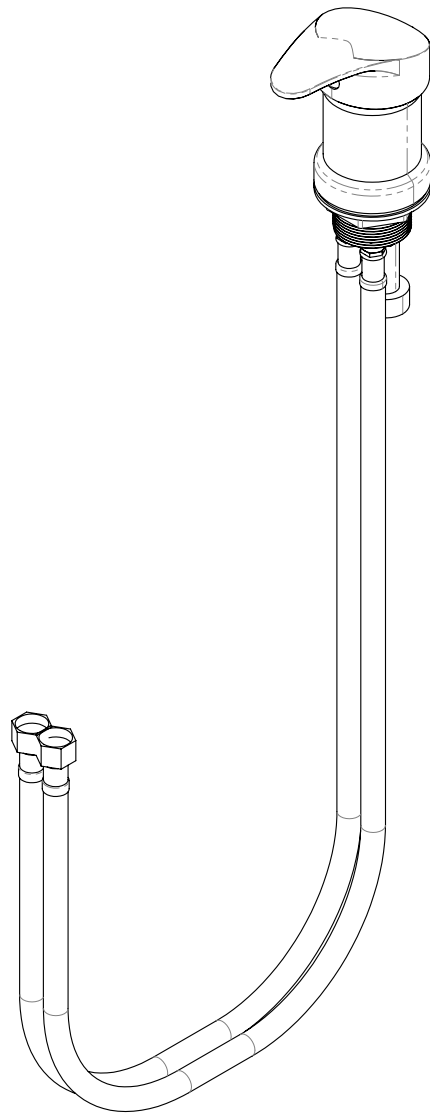




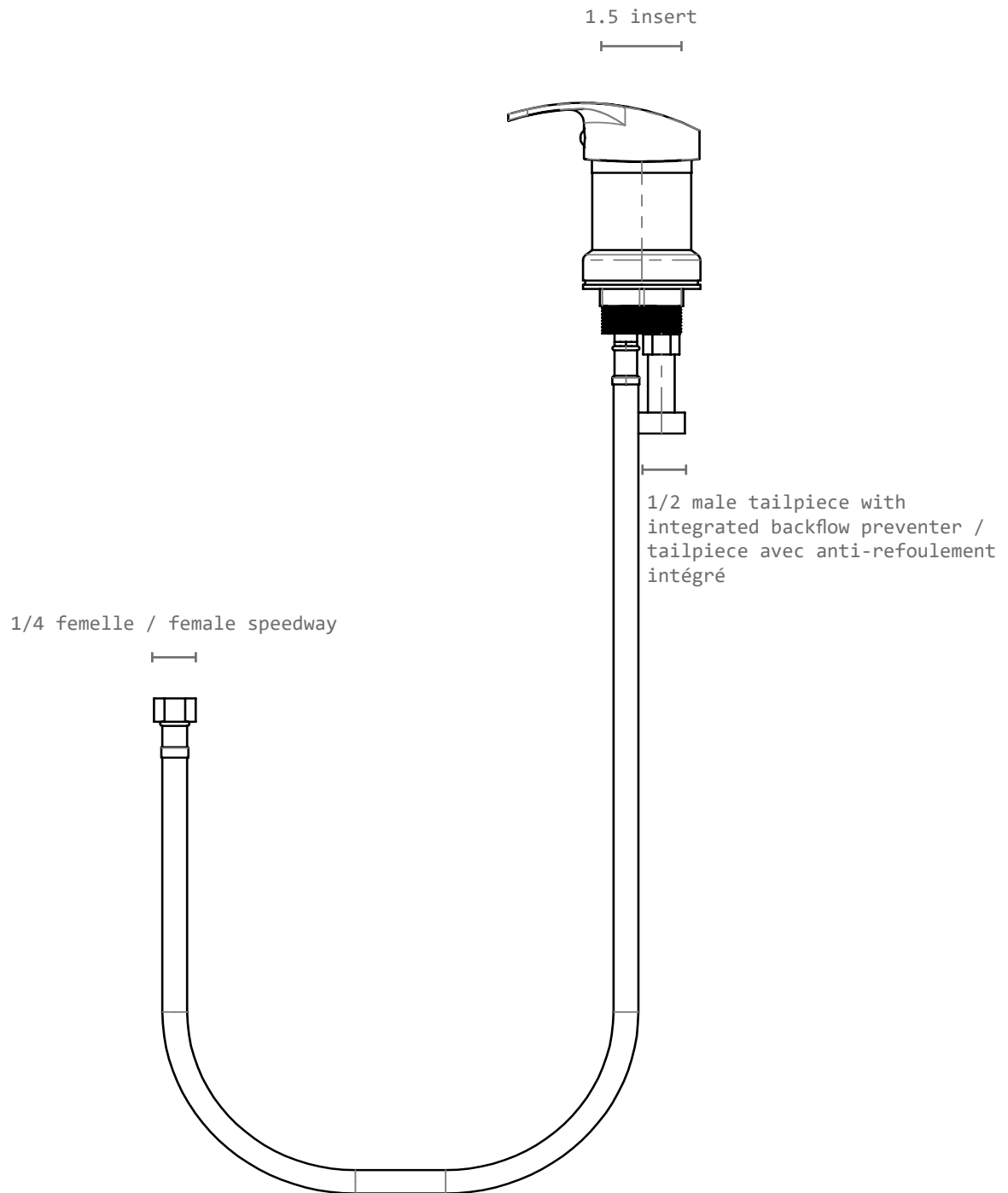
LANVAIN



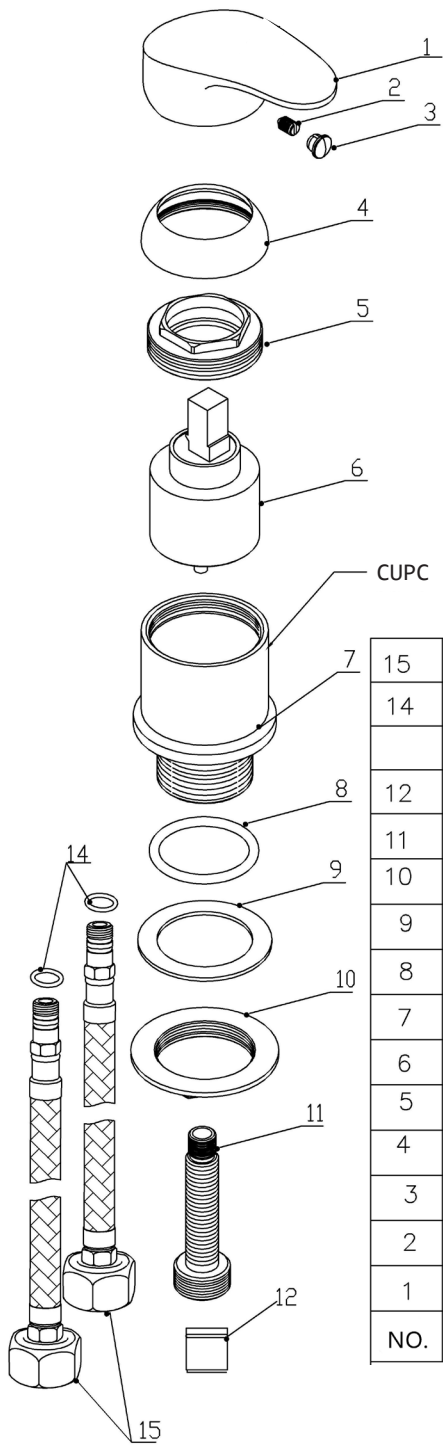
Mitigeur / Faucet

UGS : 602T

Specifications (pouces / inches)



Specifications (pouces / inches)



NO.	NAME	SIZE	MATERIAL
15	HOT AND COLD HOSE	100 CM	STAINLESS STEEL & RUBBER
14	O RING	ø8x2	RUBBER
12	CHECK VALVE		PLASTIC
11	OUTLET HOSE	G3/4X63	H57 BRASS
10	NUT	M35X7.5	H57 BRASS
9	GASKET	ø48.8x2	RUBBER
8	O RING	ø40x2	RUBBER
7	SHELL BODY	M42X67.5	H57 BRASS
6	CERAMIC CARTRIDGE	40 DIAMETER	PLASTIC & CERAMIC
5	LOCK NUT	M42X1.5	H57 BRASS
4	TRAM CAP	M42X1.5	PLASTIC
3	INDICATOR	ø9x5.5	PLASTIC
2	SET SCREW	M5X8	STAINLESS STEEL
1	HANDLE	ø54.5	ZN ALLOY





IAPMO R&T Product Listing



This IAPMO R&T Listing is current as of August 27, 2022

File Number:

7930

Issued To:

KAIPING XITE HARDWARE FACTORY

E3-3, DAJINGHENG ROAD, NO.3 INDUSTRIAL ZONE, SHUIKOU TOWN, KAIPING CITY KAIPING, GUANGDONG, CHINA

Product:

Plumbing Fixture Fittings

Products are in compliance with the following code(s):

Uniform Plumbing Code (UPC®)

National Plumbing Code of Canada

Products are certified to the following standard(s):

ASME A112.18.1-2018/CSA B125.1-18

